

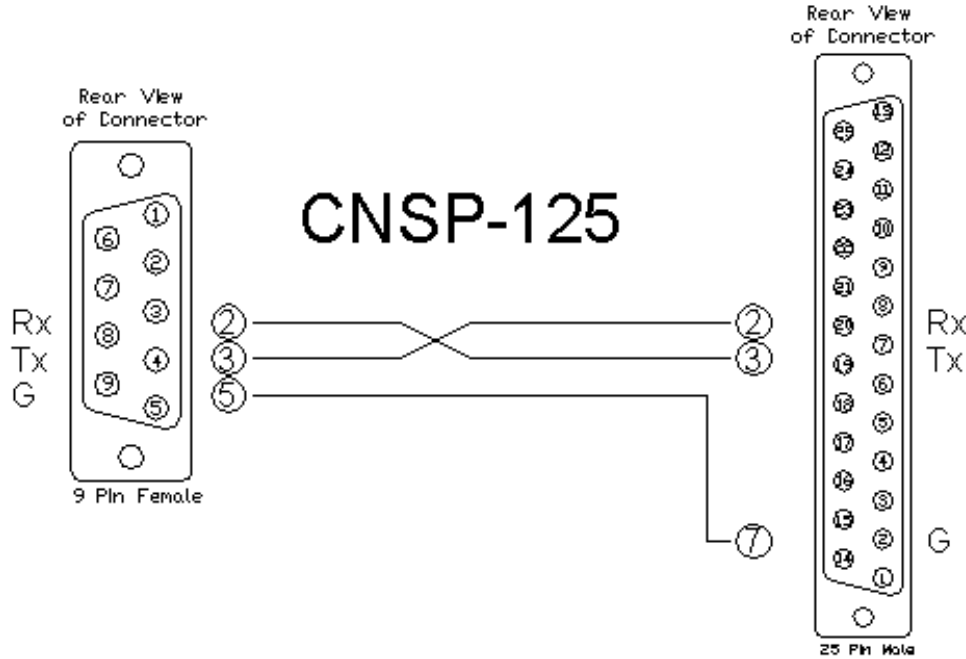
Partner: Honeywell
Model: Vista 128/250FBP 128/250BPE
Device Type: Security



GENERAL INFORMATION

SIMPLWINDOWS NAME:	Honeywell Vista 128FBP+250FBP+128BPE+250BPE Control Channel v4.1
CATEGORY:	Security
VERSION:	4.1
SUMMARY:	This module provides control and feedback for the 96 available control channels.
GENERAL NOTES:	This module will work with the Honeywell Vista security system. This module will control any of the 96 available control channels. It also provides feedback for the control channels. The channel number to control may be selected using the keypad or by using analog initialize on the analog Control_Channel output.
CRESTRON HARDWARE REQUIRED:	C2I-COM, C2-COM2, C2-COM3
SETUP OF CRESTRON HARDWARE:	RS232 Baud: 1200 Parity: None Data Bits: 8 Stop Bits: 1
VENDOR FIRMWARE:	BPE Rev 4.3
VENDOR SETUP:	<p>The Honeywell system must have the 4100SM RS232 Interface card or the VA8201 Alpha Pager Module installed. The card or module must then be enabled.</p> <p>For both the 4100SM and the VA8201</p> <ol style="list-style-type: none">1) In *05, enter a 1.2) In *14, enter a 1. You will not be able to use a serial printer.3) In 1*73, enter a 0.4) In 1*78, enter a 1.5) In 1*79, enter the following: 1110106) In 3*19, enter a 1. <p>For the VA8201, you will also need to go to 2*30 and enter a 1.</p>
CABLE DIAGRAM:	CNSP-125

Partner: Honeywell
 Model: Vista 128/250FBP 128/250BPE
 Device Type: Security



CONTROL:

Control_Channel_*	D	Pulse to enter the desired channel number to control.
Control_Channel_On/Off	D	Pulse to turn the desired control channel on and off.
Control_Channel_Status	D	Pulse to request the status of the 96 control channels.
From_Device\$	S	Serial signal to be routed from a 2-way serial com port.

FEEDBACK:

Control_Channel	A	Analog value of the control channel to be controlled.
Control_Channel_*_Off/On	D	High to indicate the current state of the control channels.
To_Queue\$	S	Serial signal to be routed to the To_Queue\$ input on the Honeywell Vista 128FBP+250FBP+128BPE+250BPE Keypad All Partitions v4.1 module.

Partner: Honeywell
Model: Vista 128/250FBP 128/250BPE
Device Type: Security

**TESTING:**

OPS USED FOR TESTING:	4.0001.1012
SIMPL WINDOWS USED FOR TESTING:	4.03.20
CRESTRON DB USED FOR TESTING:	54.05.005.00
DEVICE DB USED FOR TESTING:	73.00.001.00
SAMPLE PROGRAM:	Honeywell Vista 128FBP + 250FBP + 128BPE + 250BPE v4.1 Demo
REVISION HISTORY:	<p>V. 2.0 – added new commands included in the version-3 protocol from Honeywell.</p> <p>V. 2.4 – Fixed timing on the keypad emulation module. Also fixed an issue with the character case for some commands. Renamed To_Device\$ outputs.</p> <p>V. 3.0 – Added code to poll for the keypad text when the Vista tells us that the text has changed.</p> <p>V. 3.1 – Fixed an issue with a delimiter in the Zone Decode module.</p> <p>v. 3.1.1 – Fixed an issue where the module would occasionally send a command while it was still receiving data from the Vista. Also addressed changes to the way that keypad text updates are requested.</p> <p>V. 4.0 – Addressed differences in the protocols relating to the way in which the Vista updates the keypad text. Added three additional keypress inputs for each keypad.</p> <p>v. 4.1 – Incorporated 3-series best practices in all Simpl+.</p>